

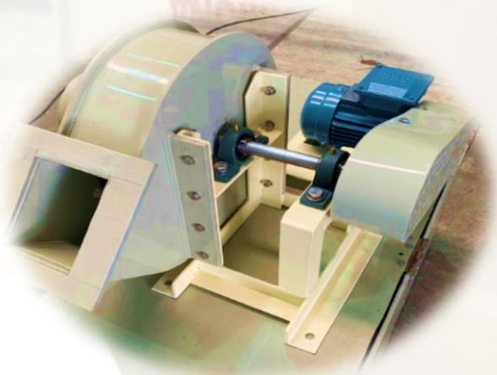


Blower

PP Blower

PVC Blower

FRP Blower



Industrial Products



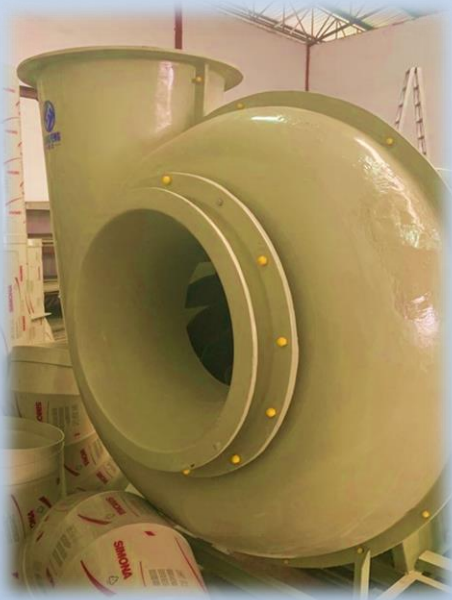
Blower

Material : PP Blower / PVC Blower /

FRP blower

PP / PVC Blower compact design profiled through heated pressurized molding and welding ,with smooth performance curve, wide high-efficiency range and steady performance. fans are designed to be durable, resistant to corrosion from vapors, chemical vapors in the manufacturing process. Long service life

FRP Blower is made of fiber, designed to absorb steam, salt vapor with a strong needle feeling. Acid resistant properties Alkali resistant, chemical resistant And good heat resistance.



Application

Industry, for example

- Usage: For fume extraction, chemical fumes, acid fumes, alkali fumes and fumes, ranging from small sizes used for lab rooms to chemical operations and large sizes for work.
- Chemical industry
- Electroplating industry
- Steel industry
- Food and pharmaceutical industries
- Paper industry

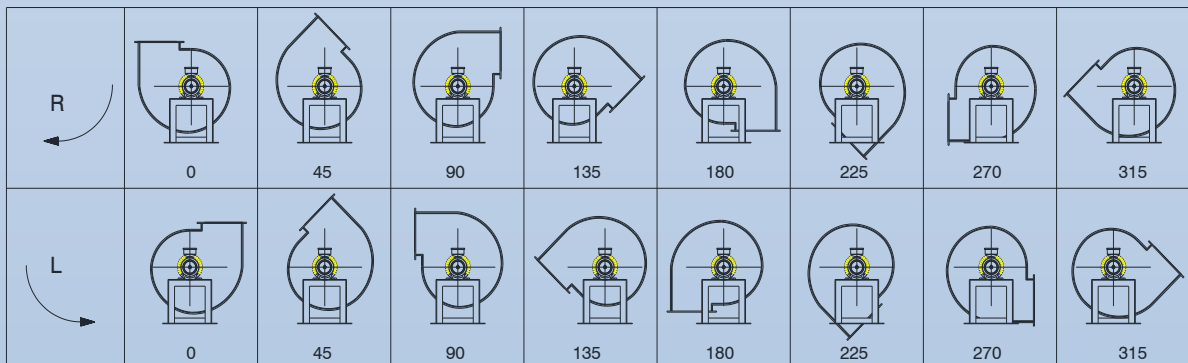


Backward Direct Drive

Specification Of Product

Model	Power Consumption Requirements				Speed (RPM)	Flow rate (m3/min)	Pressure Total (mm.Wg)
	(KW)	(HP)	Volte	Poles			
RVTD - 250A	0.18	1/4	380	4	1360	22 - 55	35 - 15
RVTD - 250B	0.37	1/2	380	4	1380	25 - 60	17 - 40
RVTD - 300A	2.2	3	380	2	2850	40 - 90	165 - 80
RVTD - 300B	3	4	380	2	2900	45 - 120	190 - 100
RVTD - 350A	0.55	3/4	380	4	1400	30 - 90	50 - 25
RVTD - 350B	4	5.5	380	2	2890	55 - 160	200 - 90
RVTD - 350C	5.5	7.5	380	2	2900	60 - 200	220 - 70
RVTD - 400A	1.1	1.5	380	4	1400	45 - 125	70 - 35
RVTD - 400B	7.5	10	380	2	2900	80 - 220	260 - 120
RVTD - 400C	11	15	380	2	2900	90 - 280	300 - 100
RVTD - 450A	2.2	3	380	4	1420	60 - 180	90 - 40
RVTD - 450B	15	20	380	2	2930	110 - 310	350 - 150
RVTD - 450C	18.5	25	380	2	2930	125 - 400	350 - 120
RVTD - 500A	3	4	380	4	1420	80 - 220	100 - 30
RVTD - 500B	4	5.5	380	4	1440	90 - 280	110 - 30
RVTD - 600A	5.5	7.5	380	4	1440	110 - 310	135 - 50
RVTD - 600B	7.5	10	380	4	1450	125 - 400	150 - 50
RVTD - 700A	5.5	10	380	4	1460	160 - 450	175 - 85
RVTD - 700B	7.5	15	380	4	1460	180 - 560	195 - 65
RVTD - 800A	18.5	25	380	4	1470	220 - 600	175 - 85
RVTD - 800B	22	30	380	4	1470	180 - 560	195 - 65

Table Discharge Positions



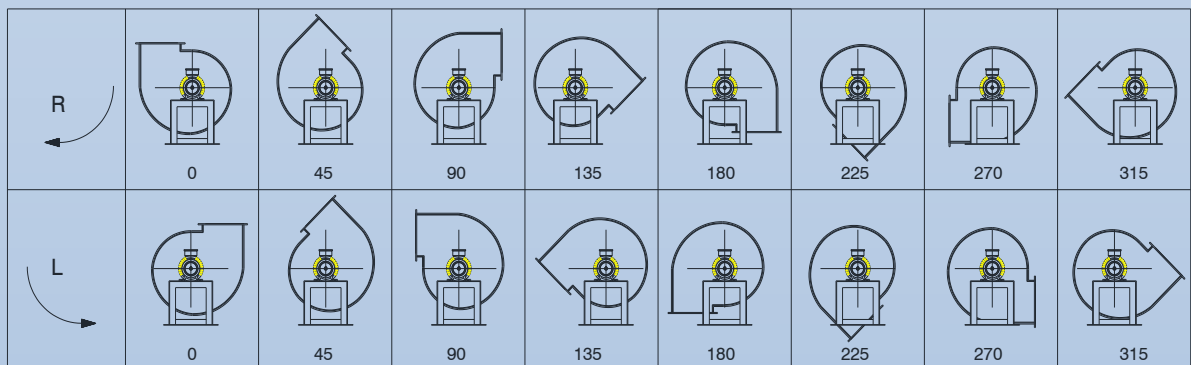


Backward Belt Drive

Specification Of Product

Model	Power Consumption Requirements				Speed	Flow rate	Pressure Total
	(KW)	(HP)	Volte	Poles	(RPM)	(m3/min)	(mm.Wg)
RVTB - 150A	0.37	1/2	380	2	2880 - 3500	5 - 20	130 - 65
RVTB - 185A	0.75	1	380	2	2880 - 3500	10 - 30	170 - 85
RVTB - 200A	1.5	2	380	2	2880 - 4000	15 - 50	250 - 100
RVTB - 225A	2.2	3	380	2	2880 - 4000	25 - 65	320 - 150
RVTB - 250A	4	5.5	380	2	2880 - 3600	35 - 100	350 - 200
RVTB - 300A	2.2	3	380	4	2500	22 - 80	200 - 100
RVTB - 300B	3	4	380	2	2700	35 - 90	250 - 100
RVTB - 325A	4	5.5	380	2	2500	35 - 120	300 - 150
RVTB - 325B	5.5	7.5	380	2	2800	40 - 150	400 - 200
RVTB - 350A	5.5	7.5	380	4	2250	50 - 160	250 - 120
RVTB - 350B	7.5	10	380	2	2500	50 - 160	300 - 180
RVTB - 400A	7.5	10	380	4	2000	60 - 200	300 - 100
RVTB - 400B	11	15	380	4	2500	80 - 230	400 - 150
RVTB - 450A	11	15	380	4	2000	90 - 260	300 - 150
RVTB - 450B	15	20	380	4	2150	100 - 300	400 - 150
RVTB - 500A	15	20	380	4	1800	120 - 360	320 - 150
RVTB - 500B	18.5	25	380	4	1900	140 - 400	400 - 150
RVTB - 550A	22	30	380	4	1700	160 - 430	350 - 150
RVTB - 550B	30	40	380	4	1800	170 - 460	400 - 150
RVTB - 650A	30	40.	380	4	1480	200 - 600	350 - 150
RVTB - 650B	37	50	380	4	1580	250 - 650	400 - 200
RVTB - 700A	37	50	380	4	1400	250 - 800	450 - 200
RVTB - 700B	45	60	380	4	1500	300 - 900	500 - 200

Table Discharge Positions





Blower

REFERANCE PROJECT





REVOTECH ENGINEERING CO.,LTD.

Address :

69 /161 Moo 3 khok Krabue
Mueang, Samutsakon 74000
Thailand

Contact :

Hotline : +66(0) 85-138-5858, +66(0)99-435-3883

Phone : +66(0) 34-410-981 /Fax: +66(0) 34-410-981

E-Mail : revotechengineering@hotmail.com

www.revotechengineering.com